
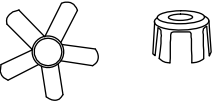
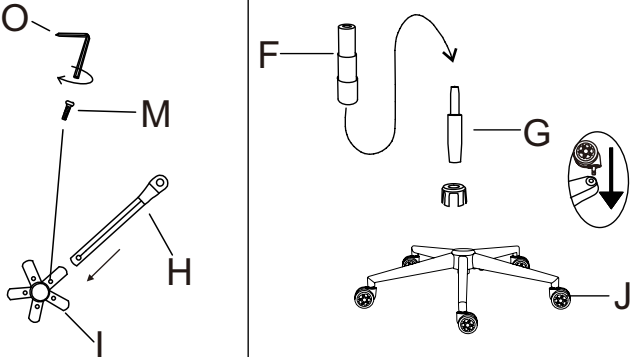
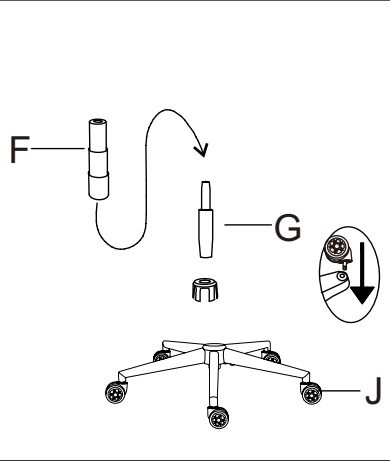
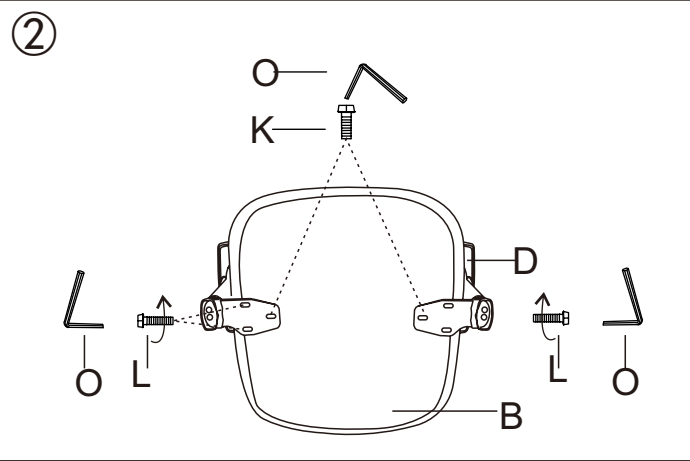


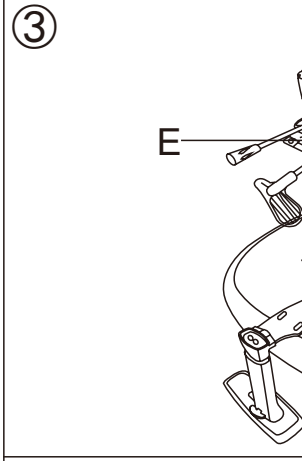
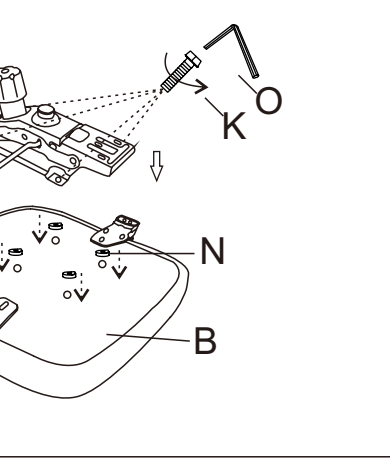
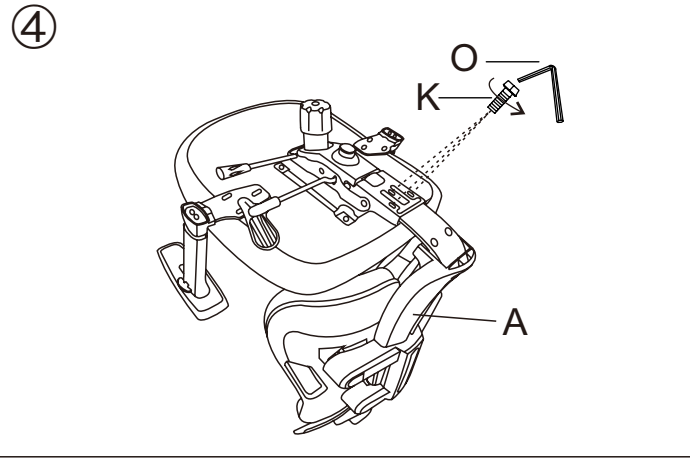

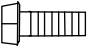
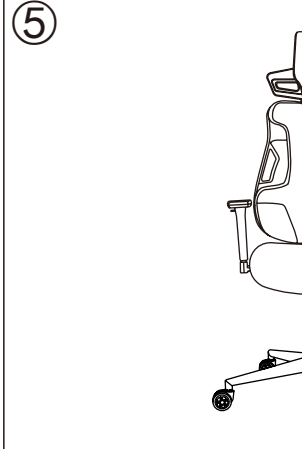


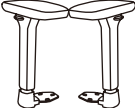

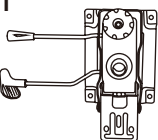







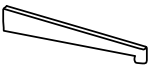


ASSEMBLY INSTRUCTIONS

<p>Ax1</p> 	<p>Ix1</p> 	<p>①</p> 		<p>②</p> 
<p>Bx1</p> 	<p>Jx5</p> 	<p>③</p> 		<p>④</p> 
<p>Cx2</p> 	<p>Kx9</p>  <p>M8*20mm</p>	<p>⑤</p> 		<p>⑥</p> 
<p>Dx1</p> 	<p>Lx4</p>  <p>M8*30mm</p>	<p>Ex1</p> 	<p>Mx5</p>  <p>M6*16mm</p>	<p>⑥</p> 
<p>Fx1</p> 	<p>Nx4</p> 	<p>Gx1</p> 	<p>Ox1</p> 	<p>⑥</p> 
<p>Hx5</p> 				<p>⑥</p> 